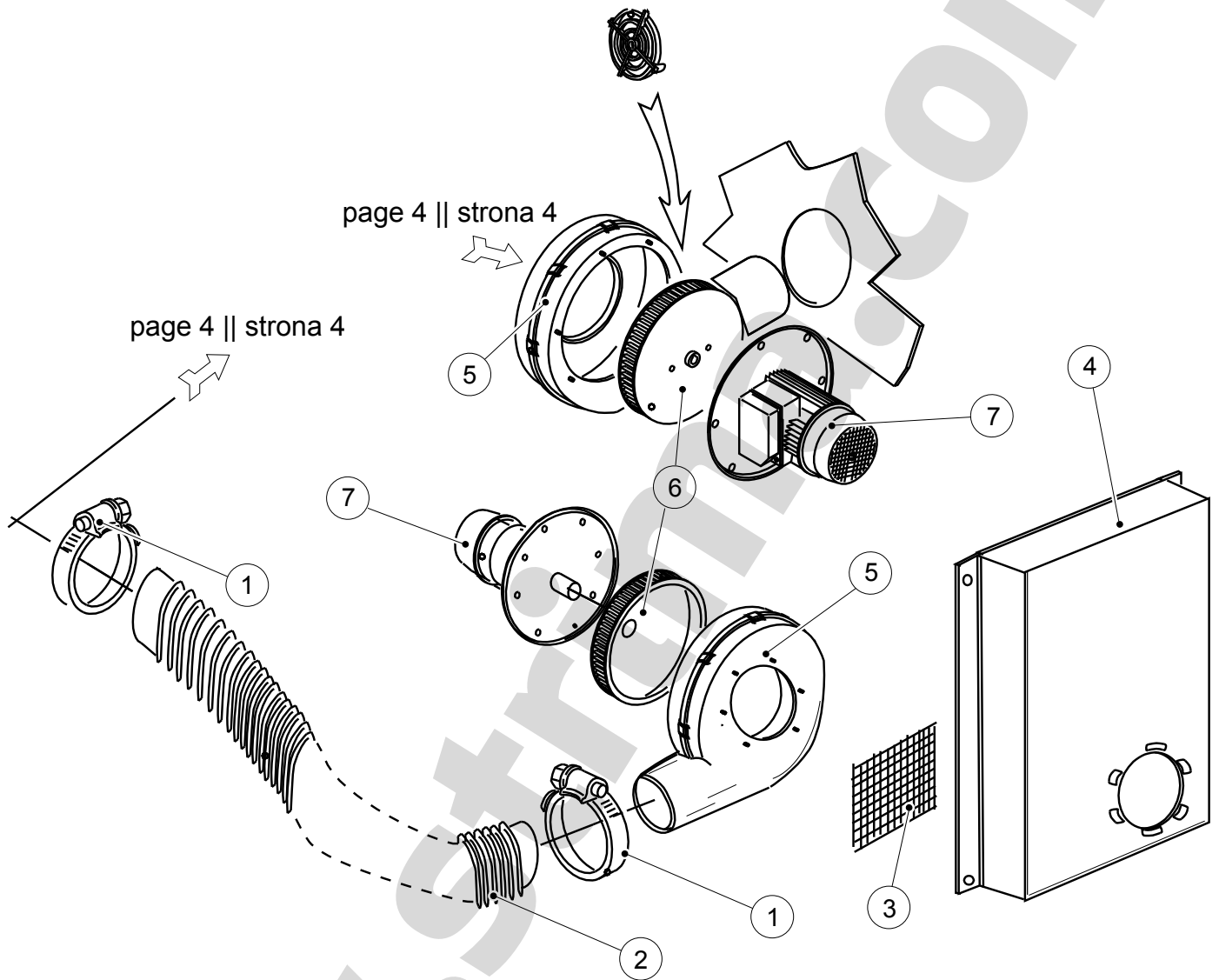
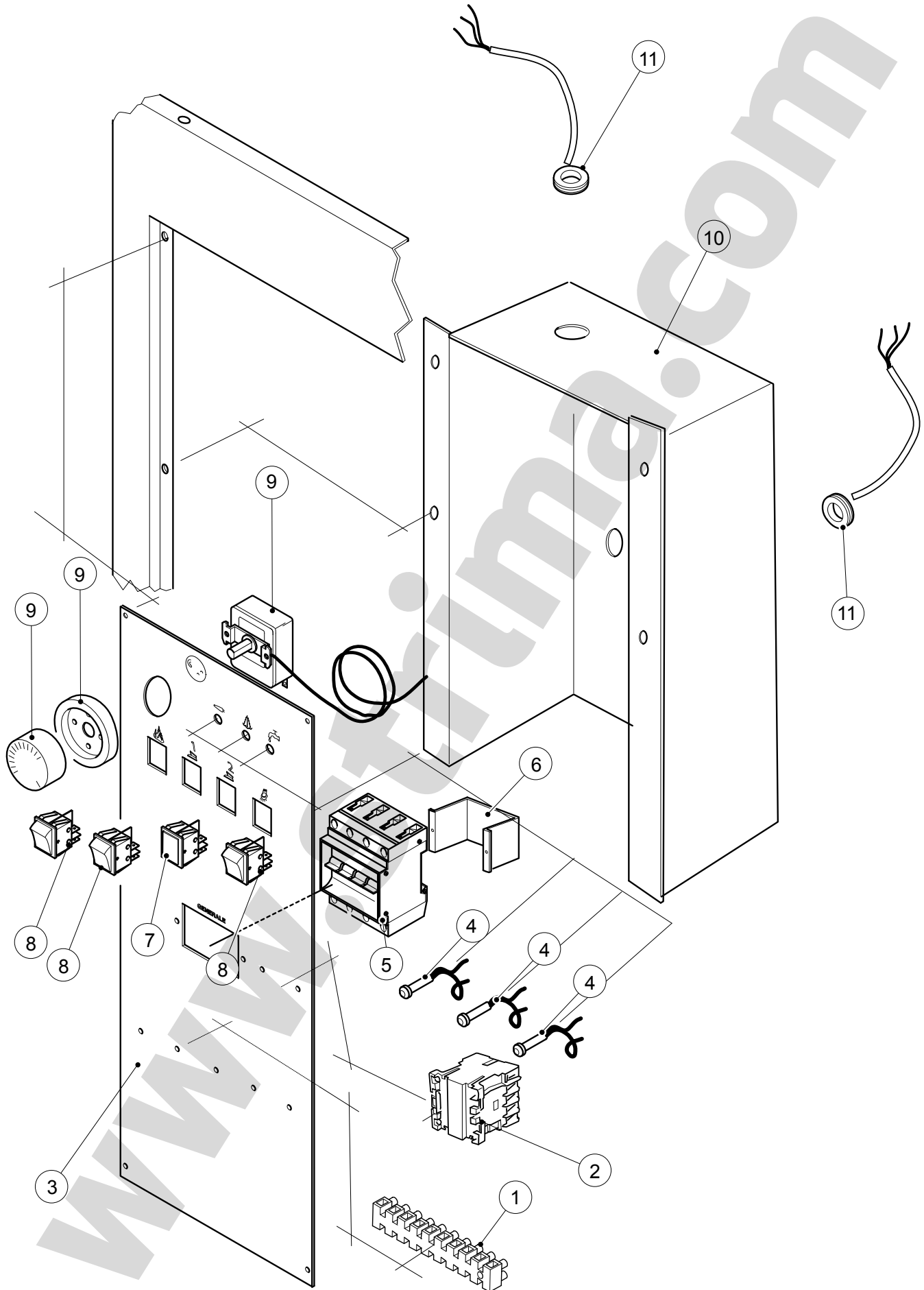


Andromeda Max Vap

POS.	Q.TY	CODE	DESCRIPTION
1	1		Frame
2	6		Pedals
3	1		Linen support
4	2		Rubber stoppers
5	6		Micro switch for pedal
6	1		Rubber ring for wire
7	1		Electric cable
8	2		Coverplates for arms
9	4		Coverplates
10	1		Iron socket
11	1		Arm socket
12	2		Coverplates for arms
13	1		Stainless steel iron support
14	1		Cable support
15	1		Lever for board closure paddle
16	1		Paddle for board closure
17	1		Swing door for blowing flow
18	1		Linen-support cloth
19	1		Punched base
20	2		Resistances W 550 for the board
21	4		Clamps for resistances
22	1		Board prontotop padding



POS.	Q.TY	CODE	DESCRIPTION
1	2		Clip for tube tightening
2	1		Pipe for blowing flow
3	1		Net
4	1		Panel
5	2		Fan covers
6	2		Motor fans
7	2		Aspirators 0,5 hp.

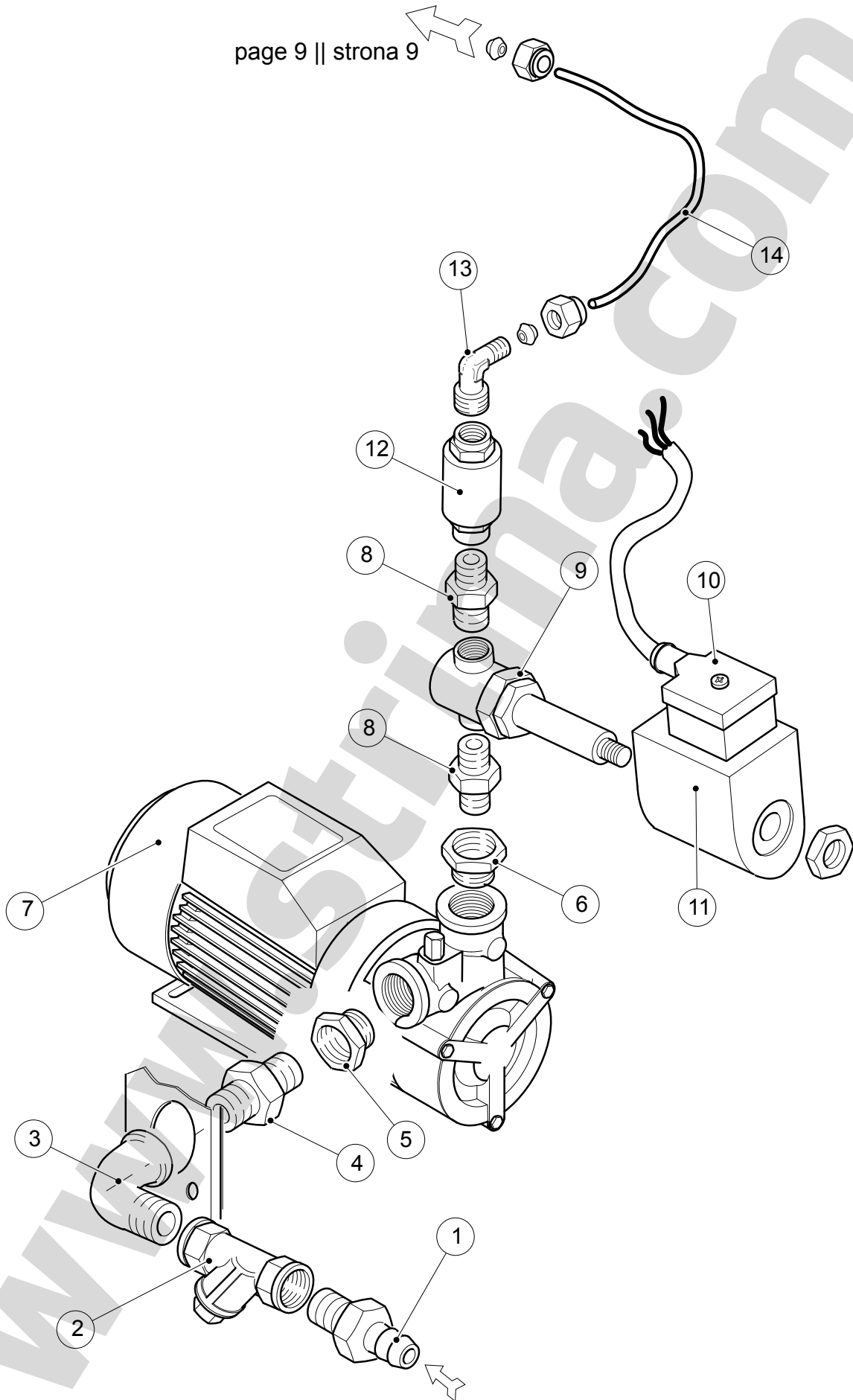


Andromeda Max Vap



POS.	Q.TY	CODE	DESCRIPTION
1	1		Terminal board
2	1		Boiler remote control switch 16 A
3	1		Front switch board
4	3		Green pilot lamps
5	1		Main switch
6	1		Main switch support
7	1		Coverplates for luminous switches
8	3		Luminous switches 16 A
9	1		Thermostat 120° for board
10	1		Rear panel for switchboard
11	2		Rubber rings for wire

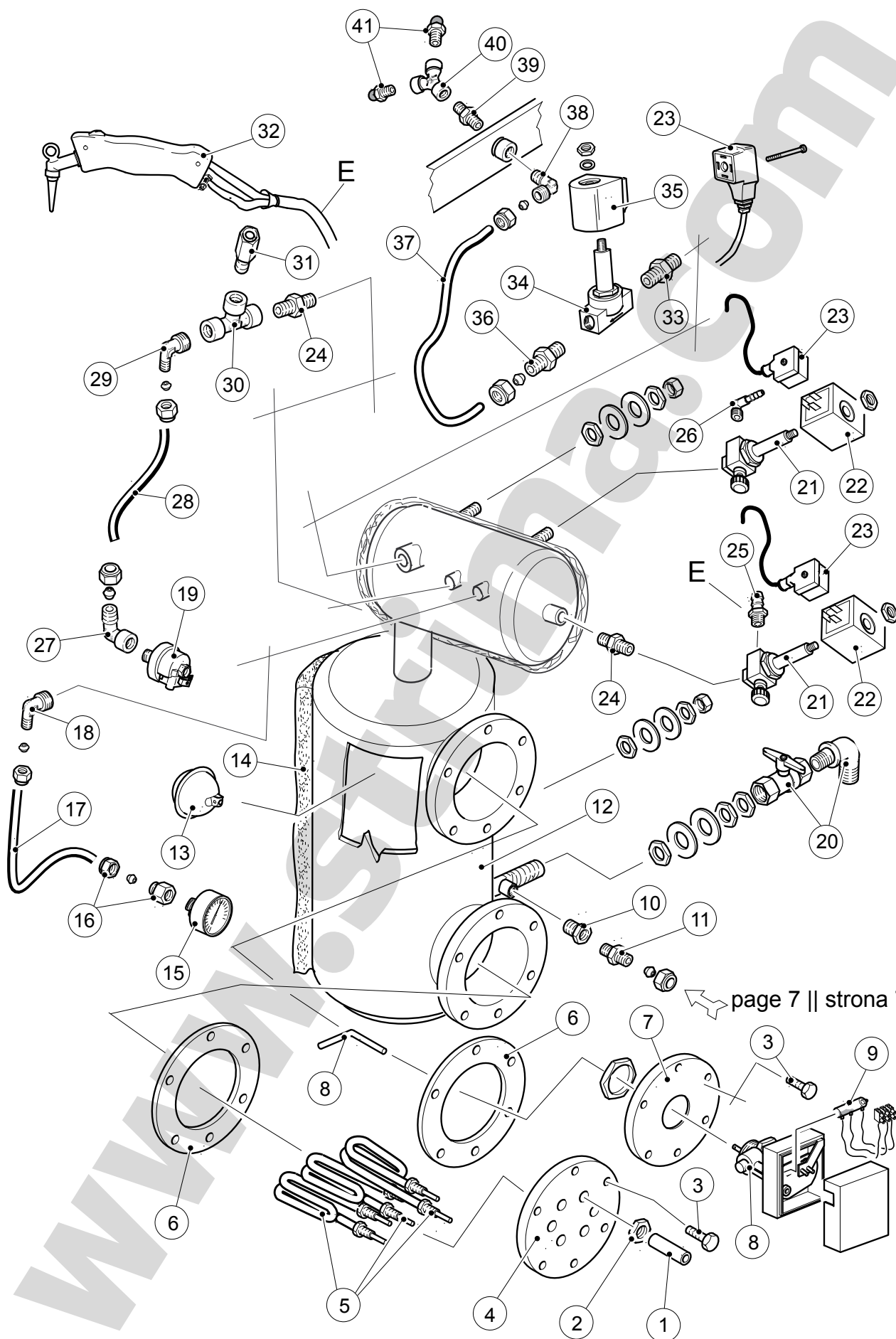
page 9 || strona 9



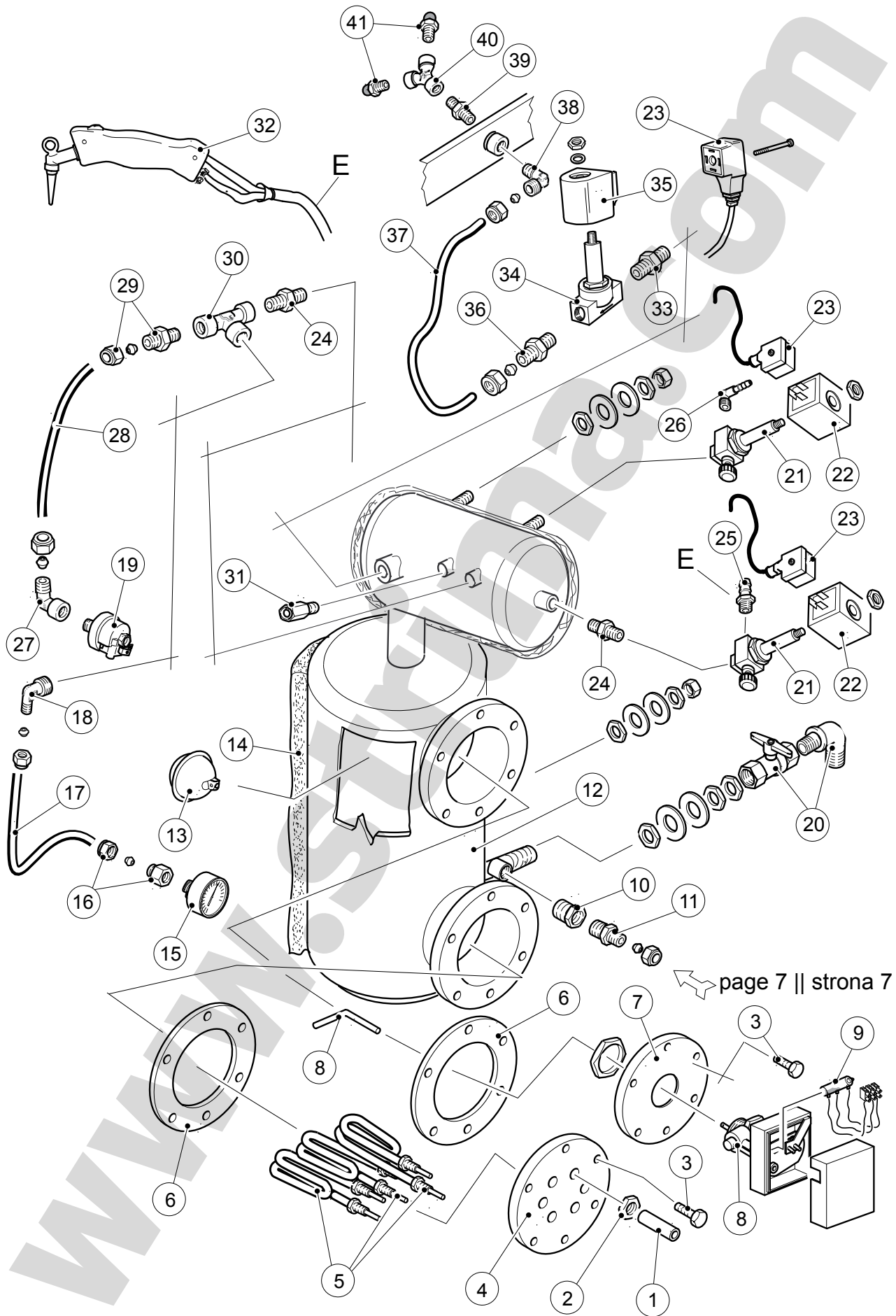
Andromeda Max Vap



POS.	Q.TY	CODE	DESCRIPTION
1	1		Hose holder
2	1		Filter for water inlet
3	1		Elbow joint 1/2"
4	1		Connection joint 1/2"
5	1		Reduction joint 1"-1/2"
6	1		Reduction joint 1"-3/8"
7	1		Pump PQM 60
8	2		Connection joint 1/4"-3/8"
9	1		Valve group
10	1		Connector
11	1		Coil
12	1		Check valve 3/8"
13	1		Copper joint 3/8"
14	1		Link copper tube



page 7 || strona 7



Andromeda Max Vap



POS.	Q.TY	CODE	DESCRIPTION
1	6		Holder for resistances
2	6		Nuts 1/4"
3	12		Steel bolts
4	1		Resistance flange
5	3	20369	Resistances
6	2		Gaskets for flange
7	1		Flange for level regulator
8	1		Level regulator
9	1		Level regulator phial
10	1		Reduction joint 1/2"-3/8"
11	1		Joint 3/8"
12	1		Boiler
13	1		Floating sphere
14	1		Boiler cover
15	1		Manometer
16	1		Joint 1/4"
17	1		Copper tube for manometer
18	1		Curved joint 1/4"
19	1	21070	Pressure switch
20	1		Exhaust tap 1/2"
21	2		Steam valve groups
22	2		Coils
23	3		Connectors
24	2		Connectoion joints 1/4"
25	1		Hose holder
26	1		Curved hose holder
27	1		Curved joint 1/4"
28	1		Copper tube for pressure switch
29	1		Curved joint 1/4"
30	1		T-joint 1/4"
31	1		Safety valve 1/4"
32	1		Steam pistol
33	1		Connection joint 3/8"
34	1		Valve group 3/8"
35	1		Coil for valve 3/8"
36	1		Joint 3/8"
37	1		Copper tube for solenoid valve
38	1		Curved joint 1/4"
39	1		Connection joint 1/4"-1/8"
40	1		Y joint 1/8"
41	2		Steam nozzles 1/8"